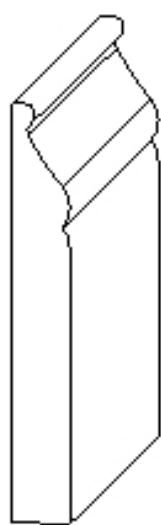


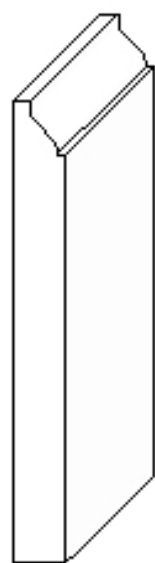
# 2011 CATALOG



BASE PROFILES



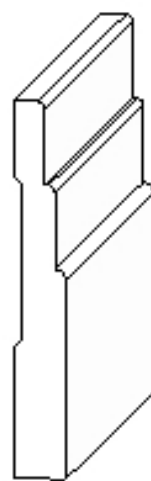
**B1092**  
 $1\frac{1}{16} \times 5$



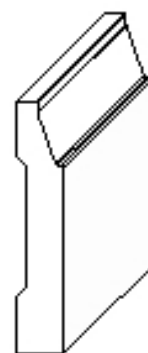
**B1102**  
 $\frac{5}{8} \times 5\frac{1}{2}$



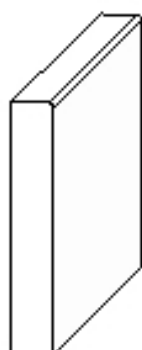
**B1392**  
 $1\frac{1}{16} \times 4\frac{1}{2}$   
 $1\frac{1}{16} \times 5$   
 $1\frac{1}{16} \times 5\frac{1}{2}$



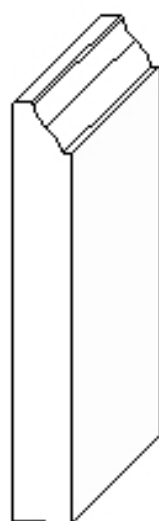
**B6202**  
 $\frac{5}{8} \times 4\frac{1}{2}$



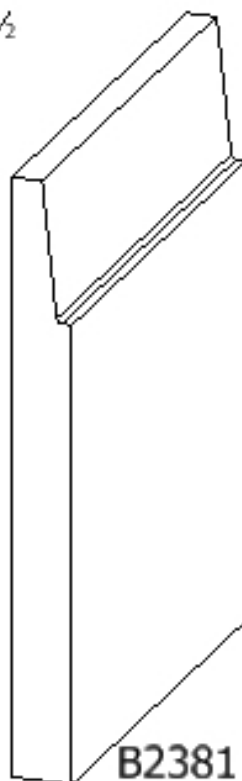
**B9191**  
 $\frac{9}{16} \times 3$   
 $\frac{9}{16} \times 3\frac{1}{2}$   
 $\frac{9}{16} \times 4$



**B2593**  
 $1\frac{1}{16} \times 5$

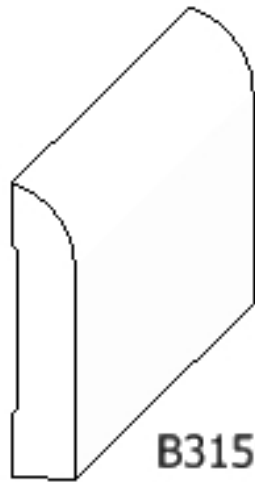


**B0101**  
 $1\frac{1}{16} \times 5$

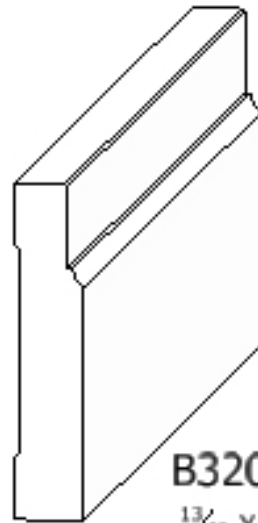


**B2381**  
 $\frac{3}{4} \times 7\frac{1}{2}$

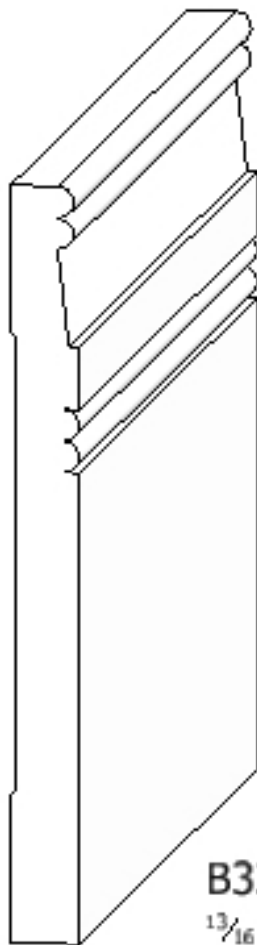
BASE PROFILES



**B3150**  
 $\frac{3}{4} \times 3\frac{1}{2}$

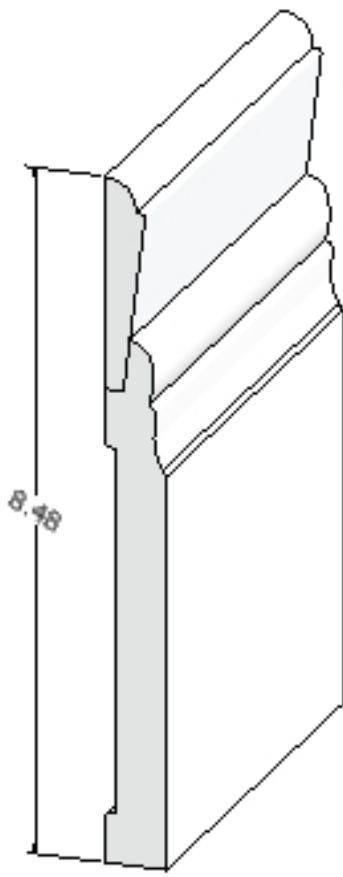


**B3200**  
 $\frac{13}{16} \times 4$



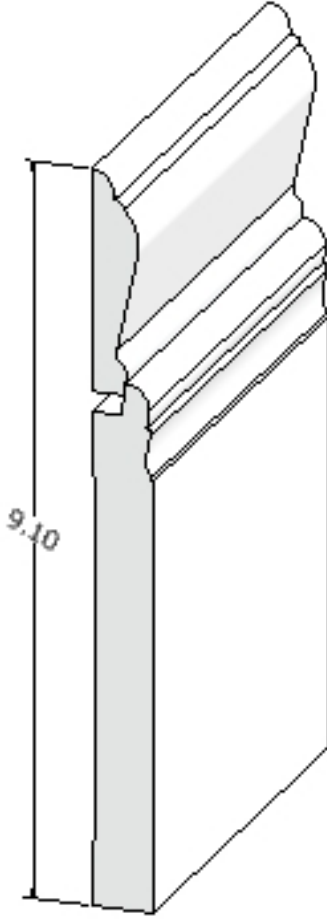
**B3250**  
 $\frac{13}{16} \times 8$

2 PIECE BASE PROFILES



**B0395**  
 $\frac{1}{2} \times 2\frac{5}{8}$

**B0394**  
 $\frac{3}{4} \times 6\frac{1}{2}$

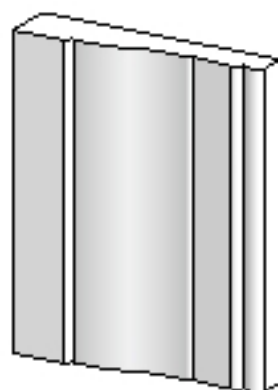


**B0397**  
 $\frac{3}{16} \times 2\frac{3}{4}$

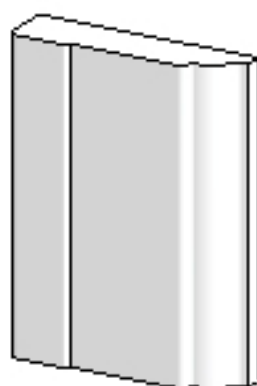
**B0396**  
 $\frac{3}{4} \times 6\frac{1}{2}$

*BASE PROFILES*

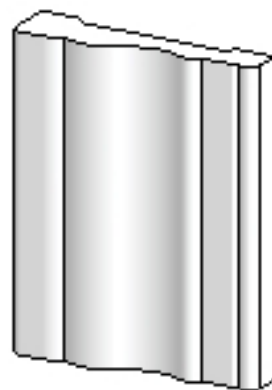
## CASINGS PROFILES



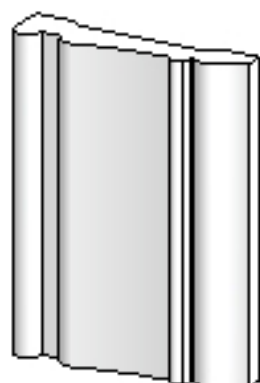
**C1091**  
 $1\frac{1}{16} \times 3\frac{3}{16}$



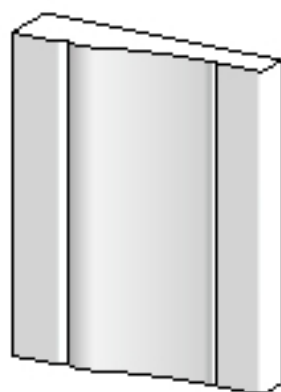
**C0102**  
 $\frac{5}{8} \times 3\frac{1}{4}$



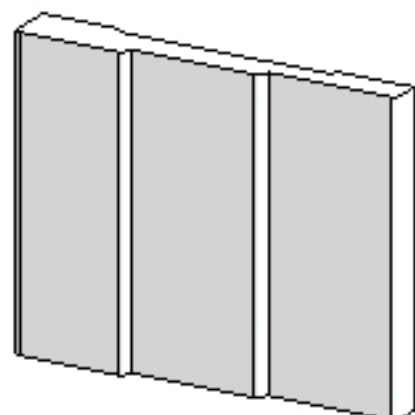
**C1275**  
 $\frac{3}{4} \times 3\frac{1}{8}$



**C1391**  
 $\frac{3}{4} \times 3$   
 $\frac{3}{4} \times 3\frac{1}{2}$

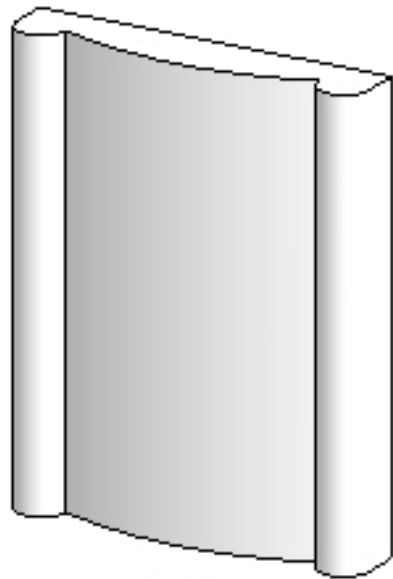


**C1875**  
 $\frac{3}{4} \times 3\frac{3}{16}$

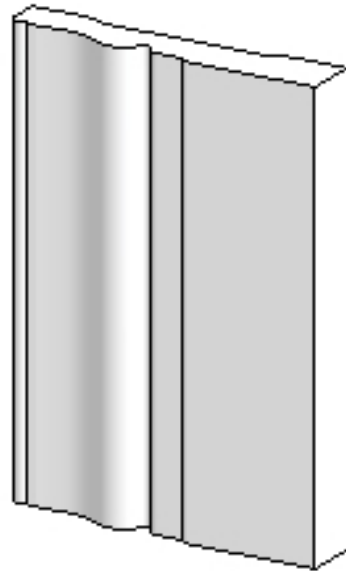


**C6201**  
 $1\frac{1}{16} \times 3\frac{1}{2}$

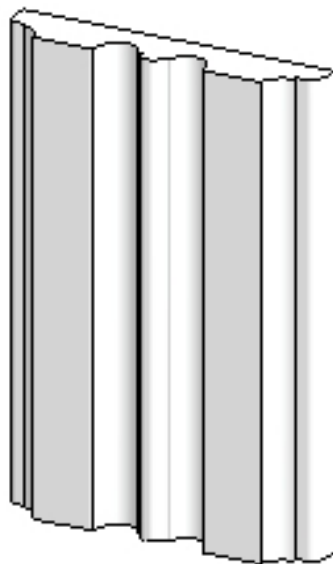
CASINGS PROFILES



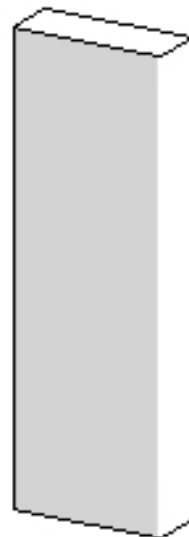
C0101  
 $\frac{7}{8} \times 4\frac{3}{4}$



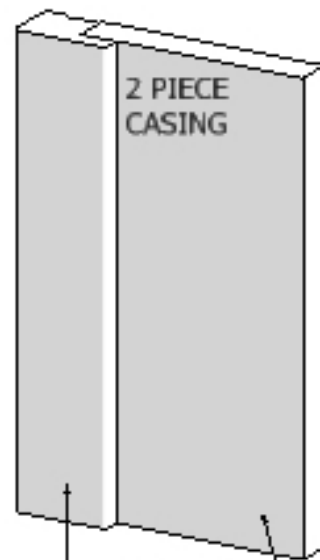
C0392  
 $\frac{3}{4} \times 4\frac{1}{4}$



C6101  
 $\frac{3}{4} \times 4\frac{1}{4}$



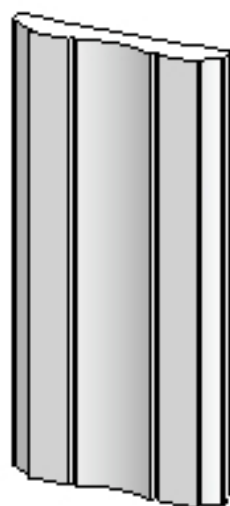
C2000  
 $\frac{3}{4} \times$  VARIOUS WIDTH



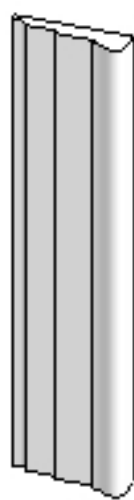
82593T  
 $\frac{3}{4} \times 1\frac{1}{4}$

82592T  
 $\frac{1}{2} \times 3$   
AVAILABLE IN  
VARIOUS WIDTHS

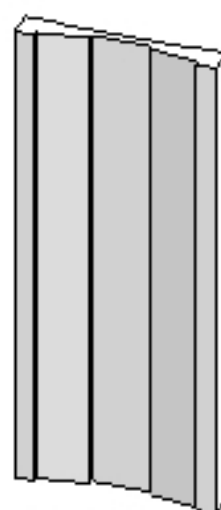
CASINGS PROFILES



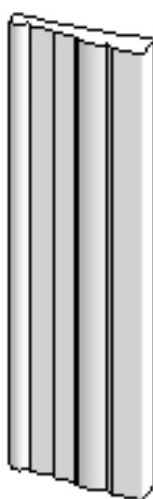
C1040  
 $\frac{3}{4} \times 5\frac{1}{4}$



C1050  
 $1\frac{1}{16} \times 3$



C1060  
 $\frac{3}{4} \times 5$



C1070  
 $\frac{3}{4} \times 3\frac{1}{2}$



C1080  
 $\frac{5}{8} \times 2\frac{1}{4}$



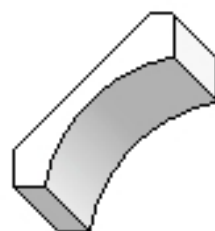
1759

$\frac{9}{16} \times 1\frac{3}{4}$



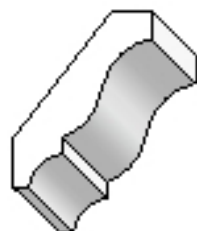
1211

$\frac{7}{16} \times 1\frac{11}{16}$



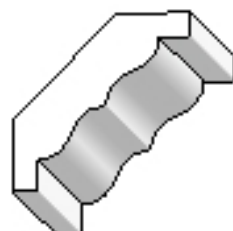
2757

$\frac{9}{16} \times 2\frac{3}{4}$



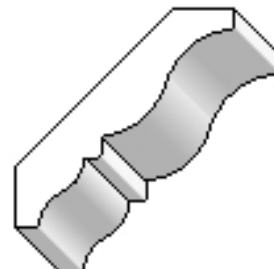
2626

$\frac{9}{16} \times 2\frac{5}{8}$



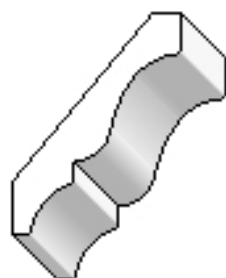
3005

$1\frac{3}{16} \times 3$



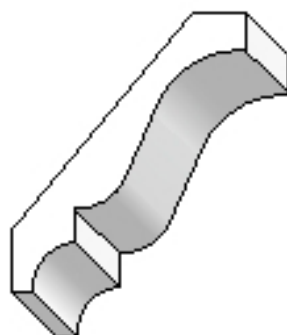
3622

$1\frac{1}{16} \times 3\frac{5}{8}$



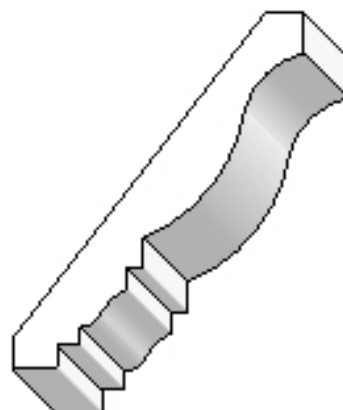
3259

$\frac{5}{8} \times 3\frac{3}{4}$



4252

$\frac{3}{4} \times 4\frac{1}{4}$



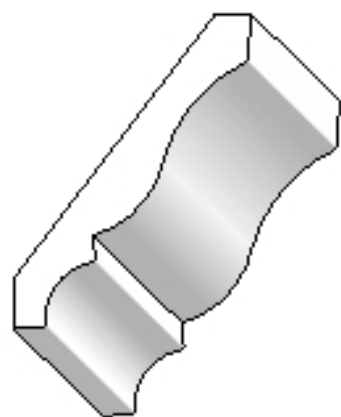
5370

$\frac{3}{4} \times 5\frac{3}{8}$

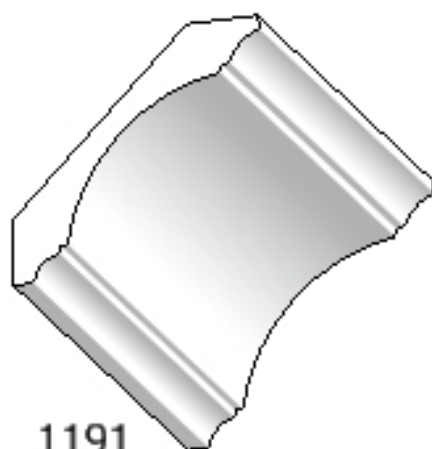
CROWN PROFILES



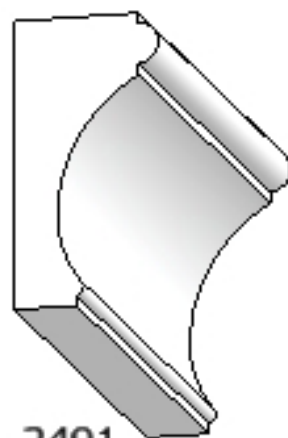
CROWN PROFILES



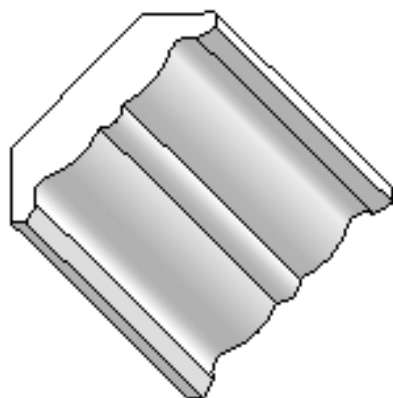
4621  
 $\frac{3}{4} \times 4\frac{5}{8}$



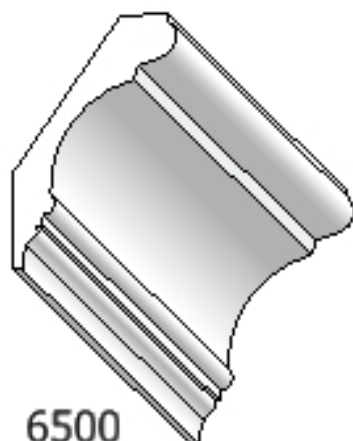
1191  
 $\frac{3}{4} \times 4\frac{1}{4}$



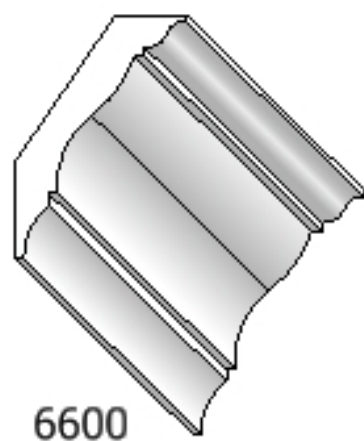
2491  
 $1\frac{3}{4} \times 3\frac{1}{2}$



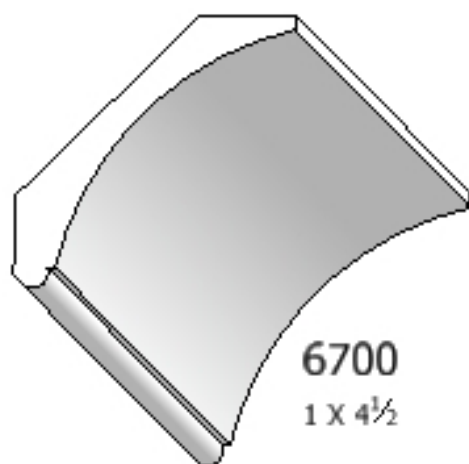
6400  
 $\frac{3}{4} \times 3\frac{7}{16}$



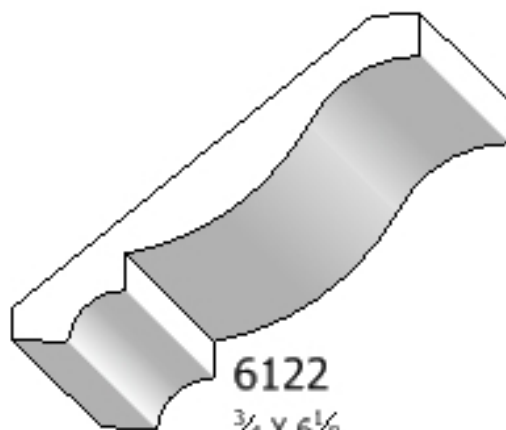
6500  
 $\frac{3}{4} \times 3\frac{1}{2}$



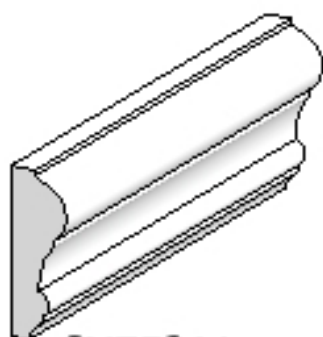
6600  
 $\frac{3}{4} \times 3\frac{1}{2}$



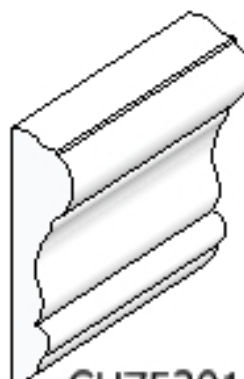
6700  
 $1 \times 4\frac{1}{2}$



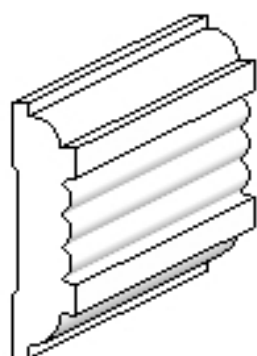
6122  
 $\frac{3}{4} \times 6\frac{1}{8}$



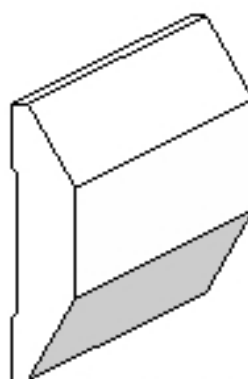
CH75211  
 $\frac{3}{4} \times 2\frac{1}{8}$



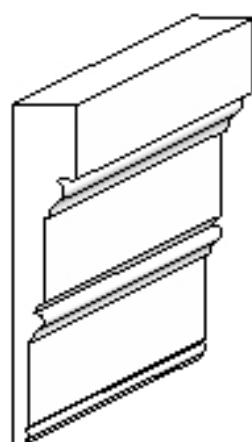
CH75301  
 $\frac{3}{4} \times 3$



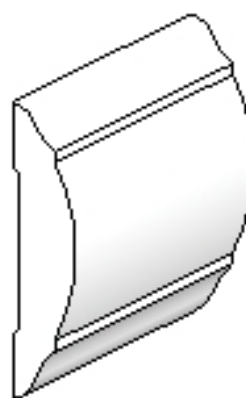
CH75400  
 $\frac{3}{4} \times 3$



CH75450  
 $\frac{3}{4} \times 3\frac{1}{4}$



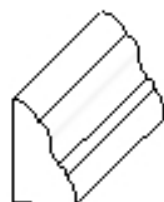
CH75500  
 $\frac{3}{4} \times 4$



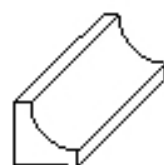
CH75550  
 $\frac{3}{4} \times 3\frac{1}{2}$

CHAIR RAIL PROFILES

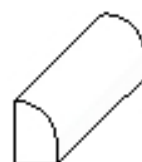
## TRIM PROFILES



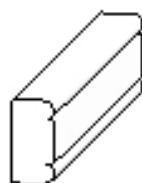
**60391**  
 $\frac{3}{4} \times 1\frac{1}{4}$



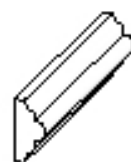
**BEV13**  
 $\frac{3}{4} \times \frac{3}{4}$



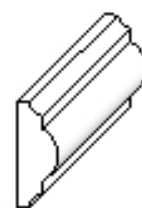
**BUT16**  
 $\frac{1}{2} \times \frac{3}{4}$



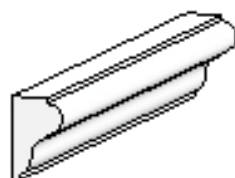
**BC10501**  
 $\frac{1}{2} \times 1$



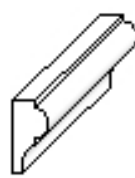
**BC75370**  
 $\frac{3}{8} \times \frac{3}{4}$



**BC12503**  
 $\frac{1}{2} \times 1\frac{1}{4}$



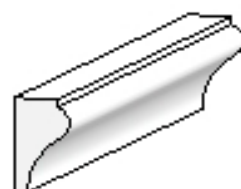
**BC10622**  
 $\frac{5}{8} \times 1$



**BC87431**  
 $\frac{7}{16} \times \frac{7}{8}$



**BC12502**  
 $\frac{1}{2} \times 1\frac{1}{4}$



**BC1683**  
 $1\frac{1}{16} \times 1\frac{1}{8}$

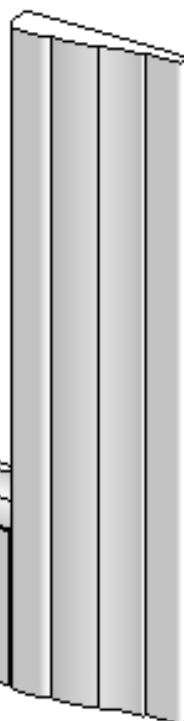


**QO75**  
 $\frac{3}{4} \times \frac{3}{4}$

**C1182**

$\frac{7}{16} \times 2\frac{3}{4}$

$1\frac{1}{16} \times 2\frac{3}{4}$

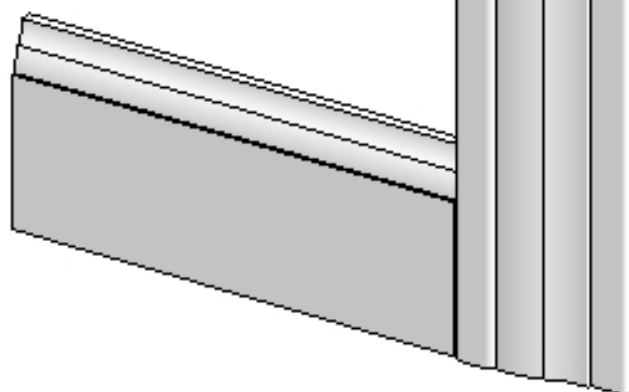


**B1183**

$\frac{3}{8} \times 2\frac{3}{4}$

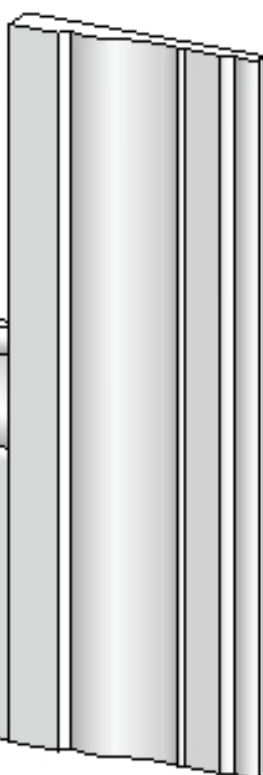
$\frac{3}{8} \times 3$

$\frac{3}{8} \times 3\frac{1}{2}$



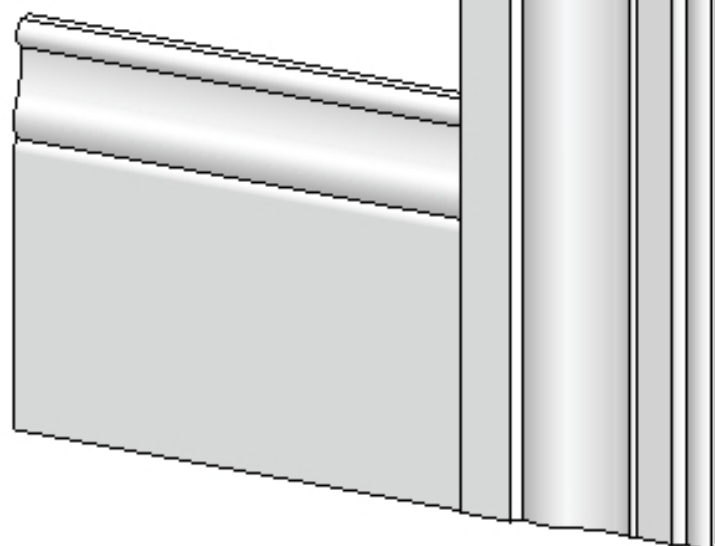
**C2110**

$\frac{7}{16} \times 3\frac{1}{4}$

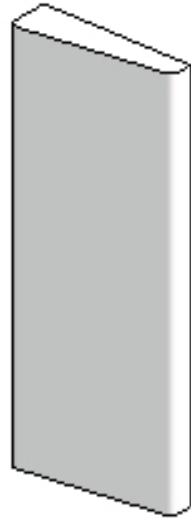


**B2109**

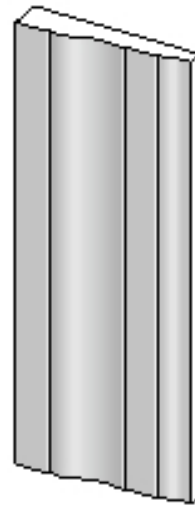
$\frac{3}{8} \times 5$



CASING



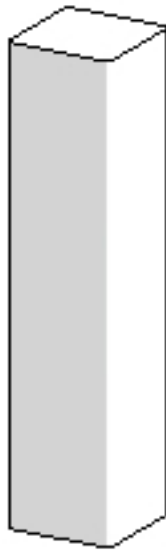
**6204**  
 $\frac{7}{16} \times 2\frac{1}{4}$



**C2254**  
 $\frac{7}{16} \times 2\frac{1}{4}$

STOCK PROFILES

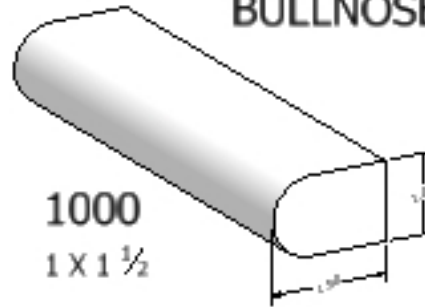
SPINDLE



9891

1 3/8 X 1 3/8

BULLNOSE

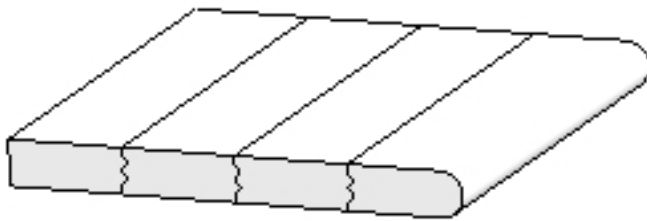


1000

1 X 1 1/2

STAIR TREAD

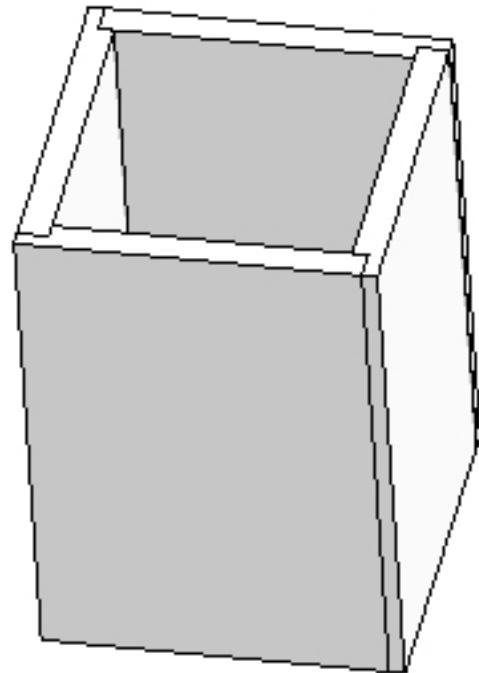
AVAILABLE IN CUSTOM SIZES



ST103BN

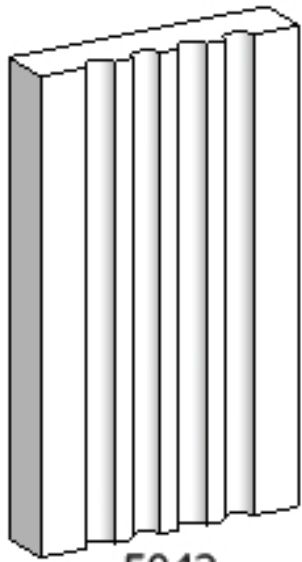
NEWEL POST

AVAILABLE IN CUSTOM SIZES  
FROM 3"X3" UP TO 7"X7"



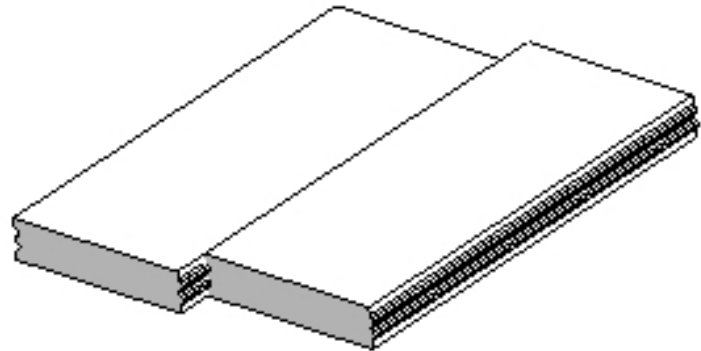
MISC. PROFILES

**FLUTED MOLDINGS**  
AVAILABLE IN CUSTOM SIZES

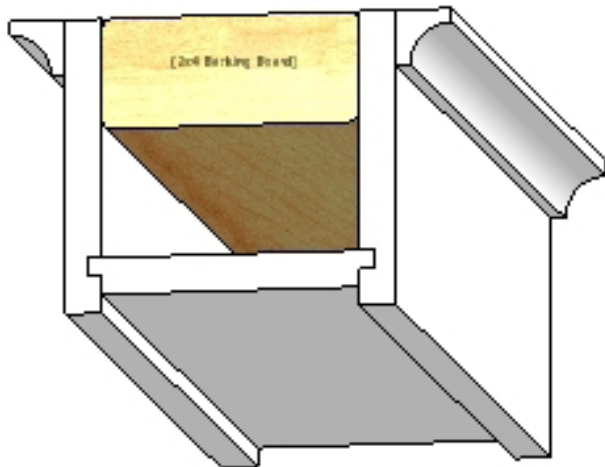


**5042**  
 $\frac{3}{4} \times 3\frac{1}{2}$

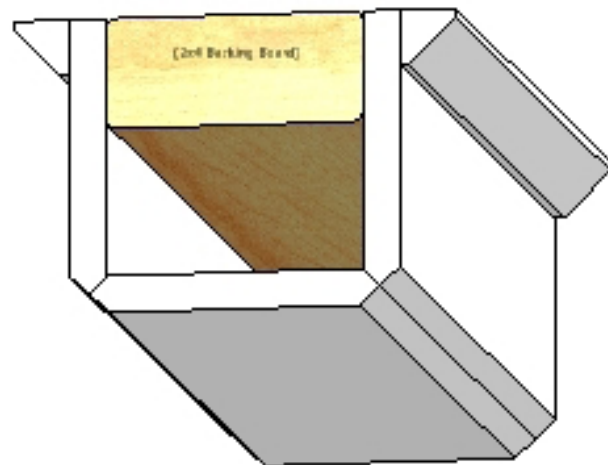
**GLUE JOINT**  
AVAILABLE IN CUSTOM SIZES



**BOX BEAM**



**Tongue and Groove  
Box Beam**



**Mitre  
Box Beam**